

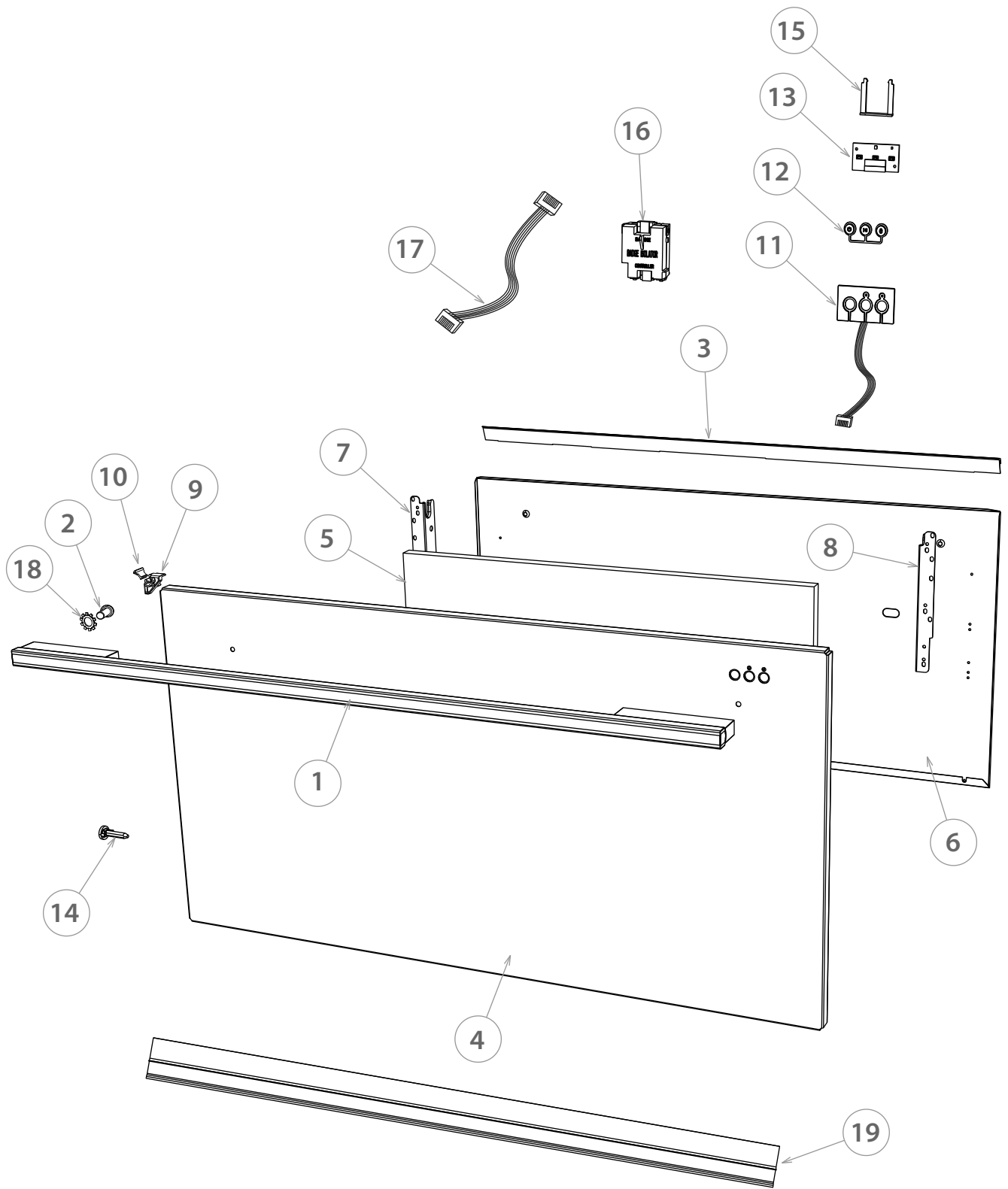
Fisher&Paykel

DishDrawer®
DD90SDFTX2 FP AA
Product Code: 80777-A

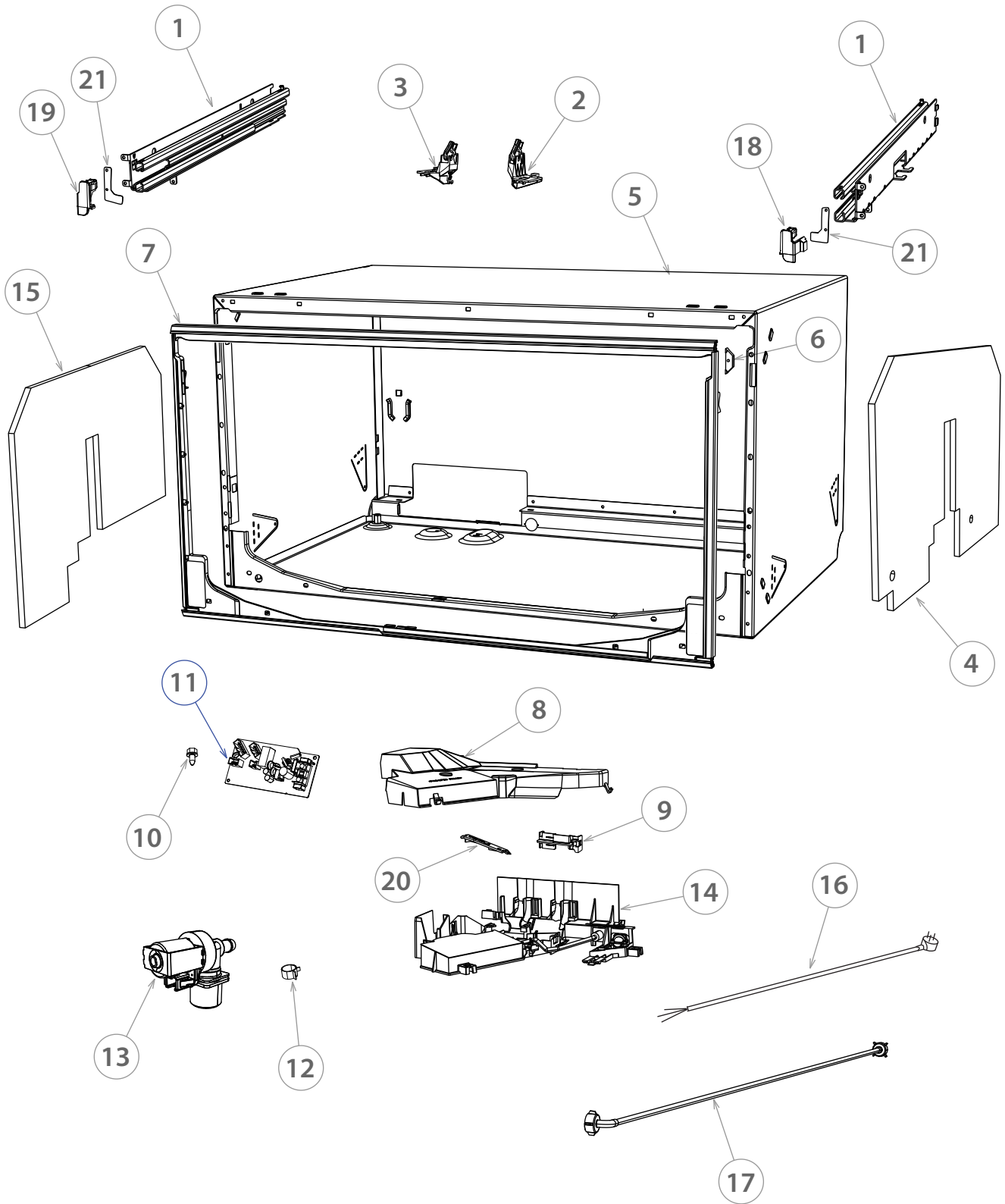
Parts Manual

AA

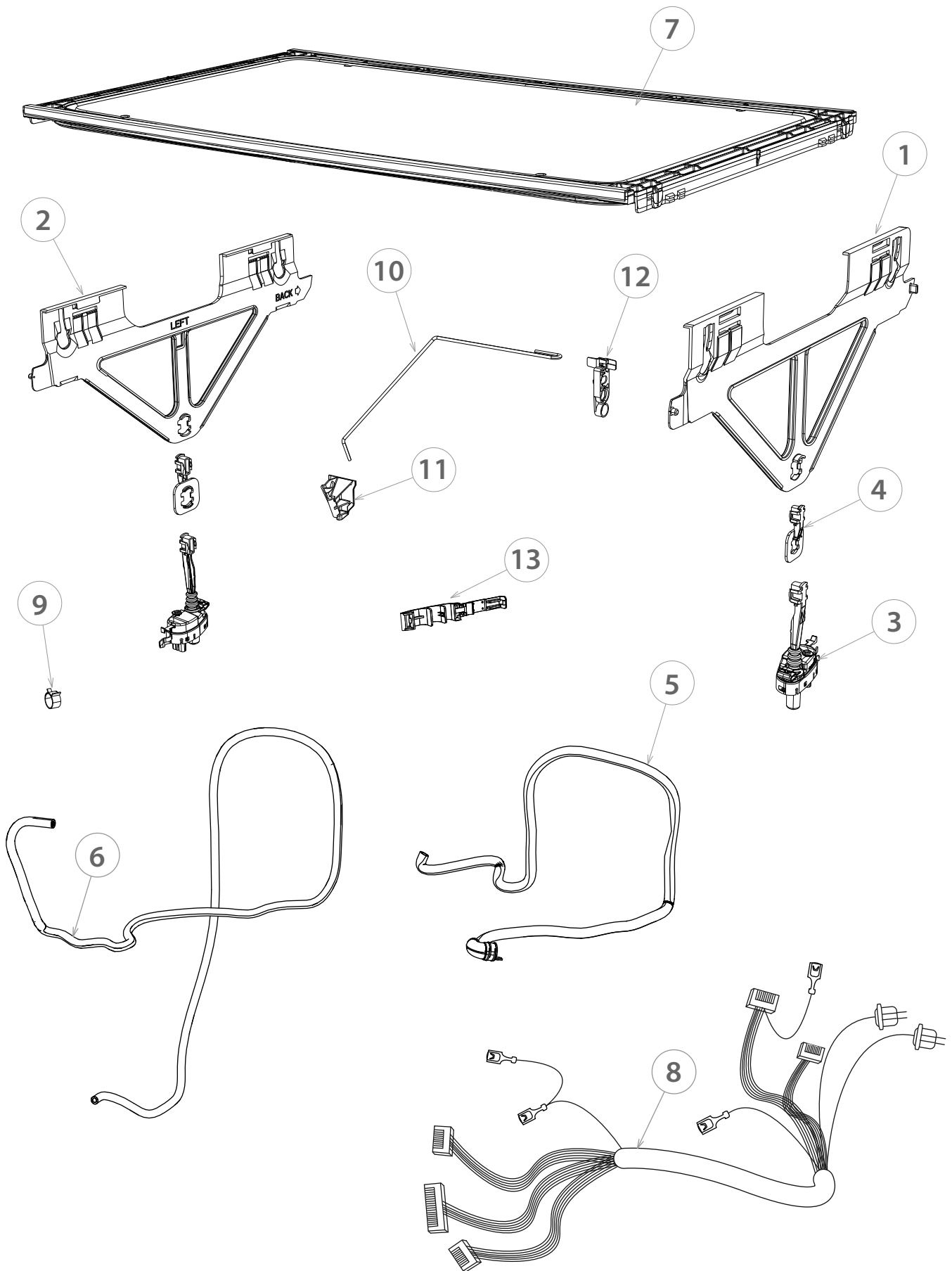
3 FRONT PANELS/CONTROLS

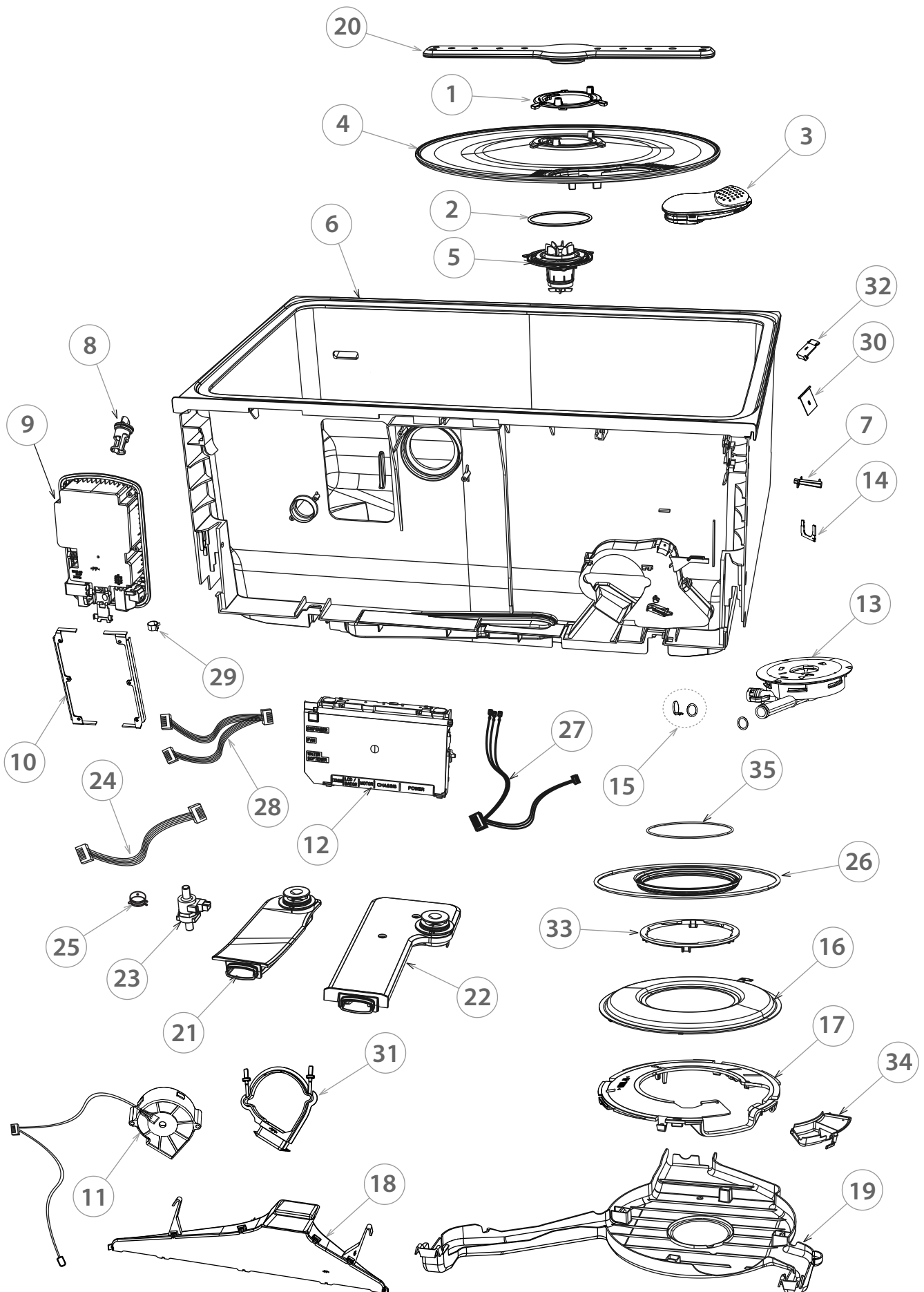


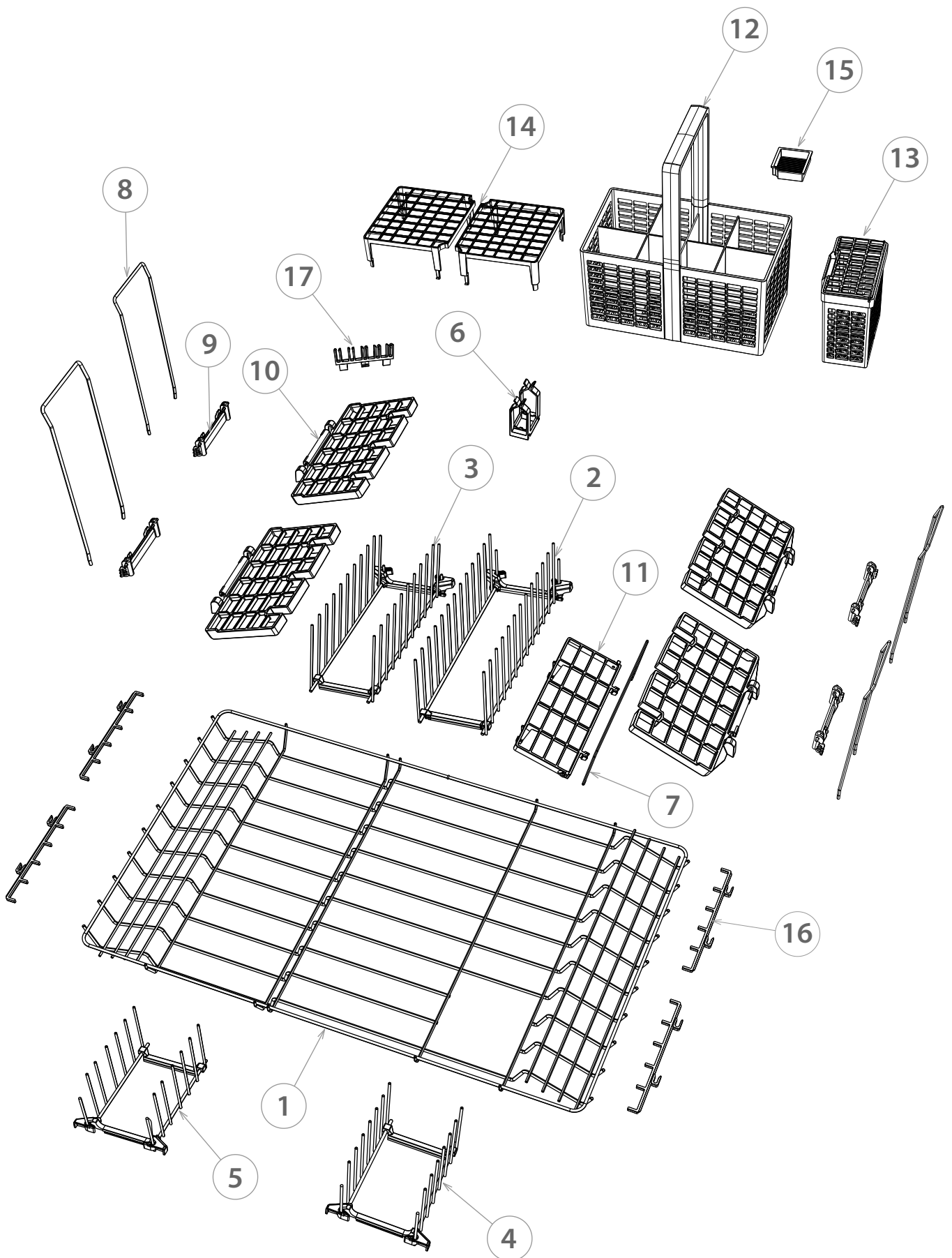
5 CABINET ASSEMBLY

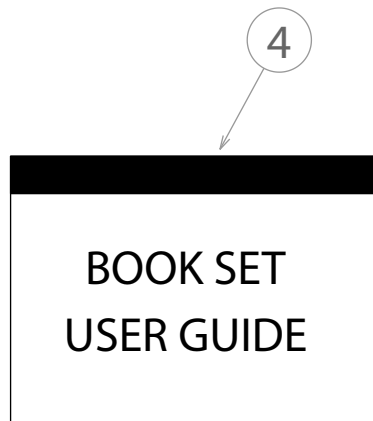
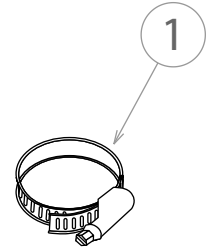
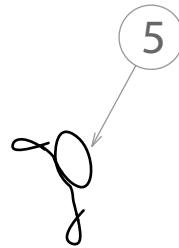
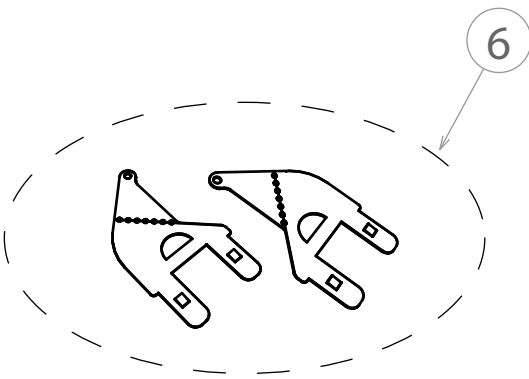
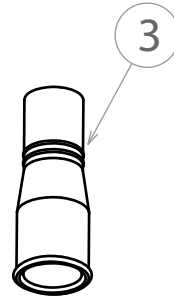
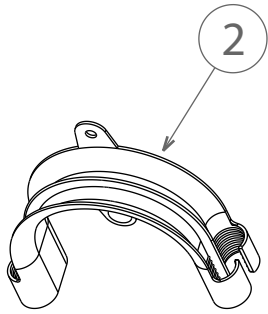


9 LID & LINK ASSEMBLY









www.fisherpaykel.co.nz
www.fisherpaykel.com.au

Fisher & Paykel

Copyright © Fisher & Paykel 2012. All rights reserved.
The product specifications in this manual apply to the specific model described at the date of issue. Under our policy of continuous product improvement, these specifications may change at any time. Only use this manual if the product code on the front matches the product code on the serial label of the product.